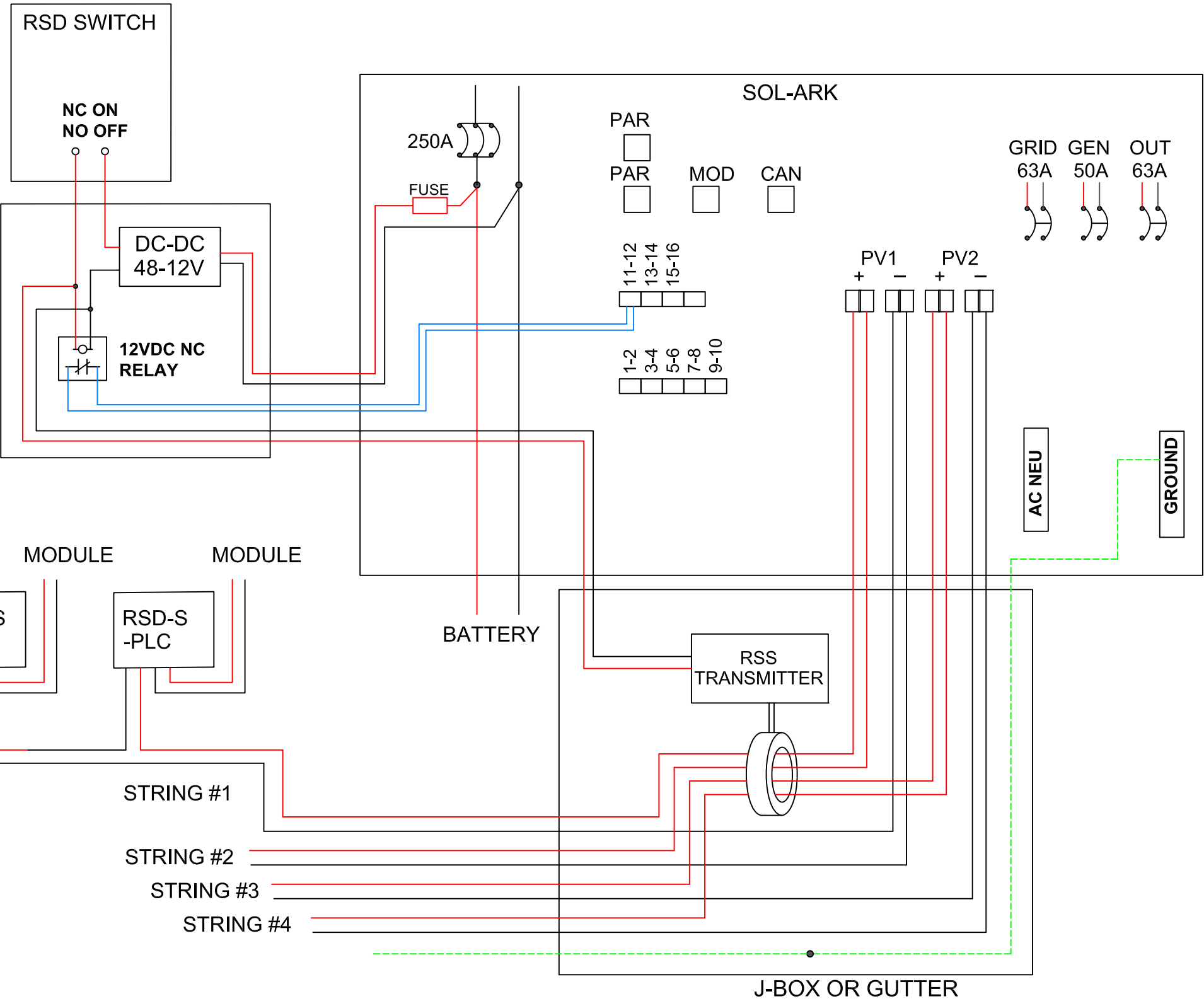


- SWITCH LEVITON 12021-2W
- RED HANDLE CARLON E98TSCN-CAR
- BOX ANY SINGLE GANG OUTDOOR
- DC-DC MEAN-WELL DDR-30L-12
- RELAY WAGO 788-303 (OR EQUIVALENT)
- BOX ANY OUTDOOR J-BOX



NOTES:
 1. THIS DRAWING IS SUGGESTED WIRING ONLY. IT IS THE RESPONSIBILITY OF THE INSTALLER TO MAKE SURE THIS SYSTEM IS INSTALLED ACCORDING TO APPLICABLE CODES. THIS EQUIPMENT SHOULD NOT BE ACCESSIBLE TO UNAUTHORIZED PERSONS.
 2. ALL METAL PARTS OF THIS SYSTEM SHOULD BE GROUNDED.

| | |
|----------------|--------------|
| Drawing by: | Brad Bassett |
| Creation date: | 2022-10-25 |
| Revision by: | |
| Revision date: | |
| Scale: | Not to scale |

APS AND RSS-TRANSMITTER
 RSD SWITCH & RELAY
 SOL-ARK WIRING DIAGRAM

| |
|-----------|
| Drawing # |
| Rev. 1.0 |