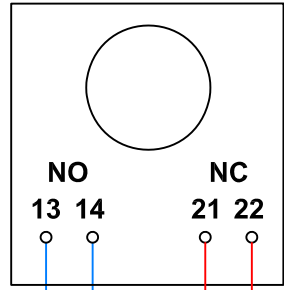
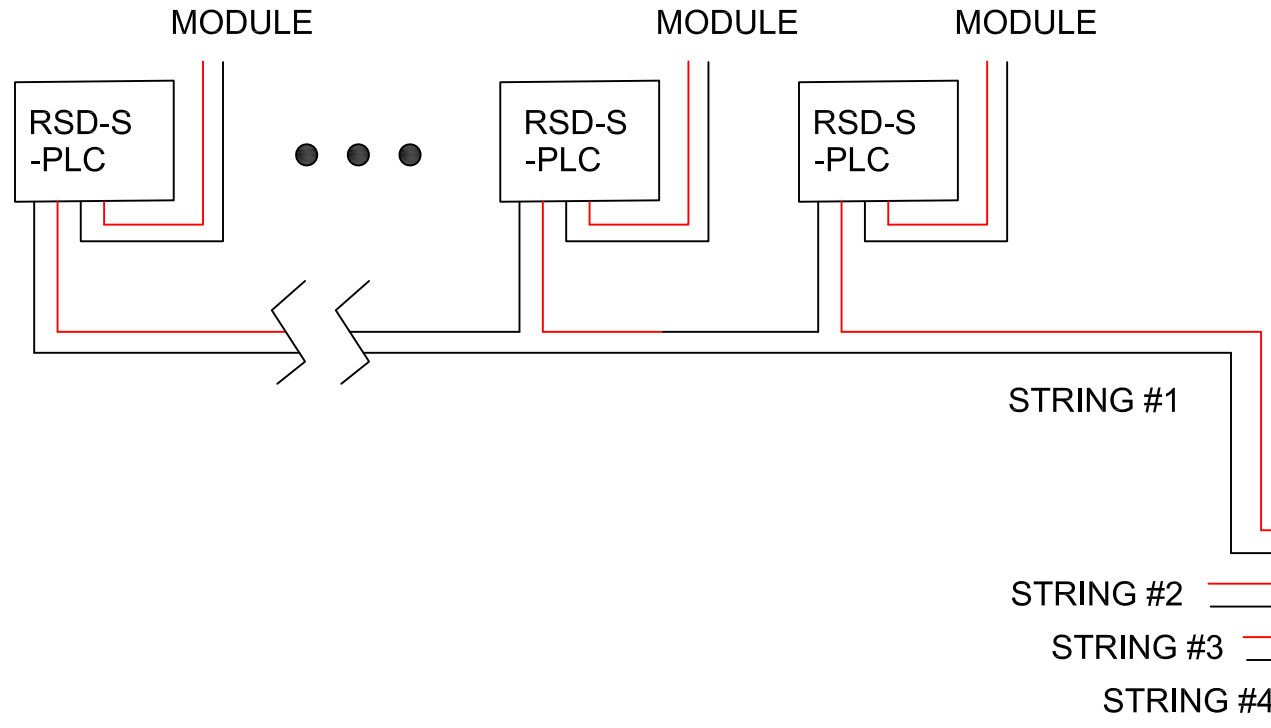
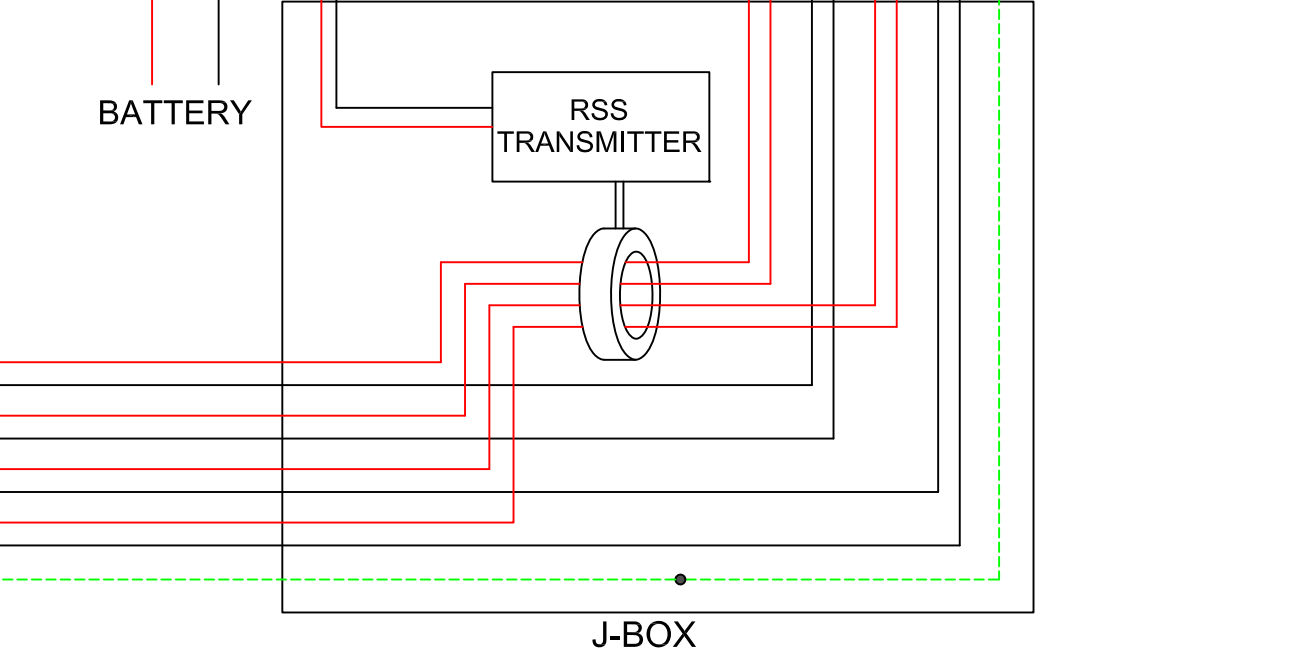
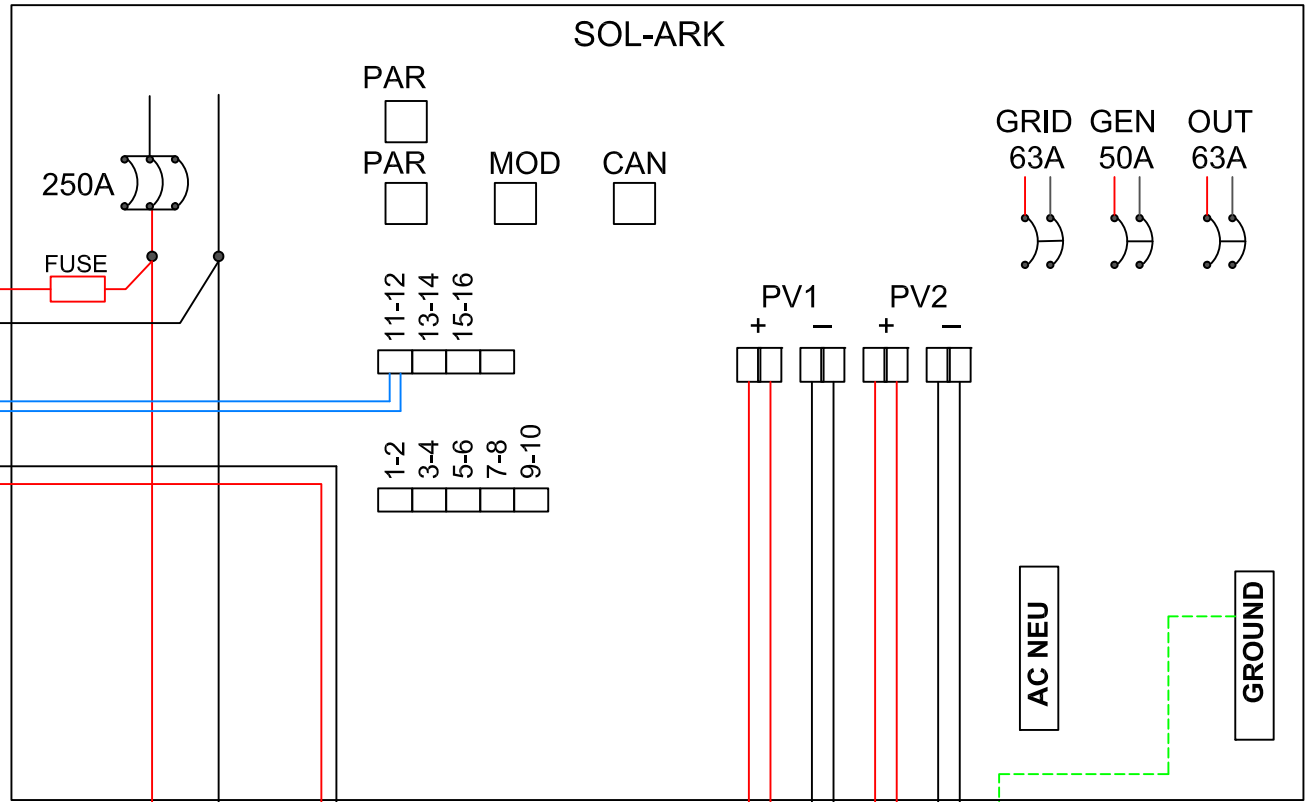


RSD INITIATOR  
IMO BG10P34-11



DC-DC  
48-12V



NOTES:  
1. THIS DRAWING IS SUGGESTED WIRING ONLY. IT IS THE RESPONSIBILITY OF THE INSTALLER TO MAKE SURE THIS SYSTEM IS INSTALLED ACCORDING TO APPLICABLE CODES. THIS EQUIPMENT SHOULD NOT BE ACCESSIBLE TO UNAUTHORIZED PERSONS.  
2. ALL METAL PARTS OF THIS SYSTEM SHOULD BE GROUNDED.

Drawing by:	Brad Bassett
Creation date:	2020-12-03
Revision by:	Brad Bassett
Revision date:	2022-10-24
Scale:	Not to scale

RSD FOR SOL-ARK  
APS AND RSS-TRANSMITTER  
WIRING DIAGRAM

Drawing #	
Rev. 8.0	