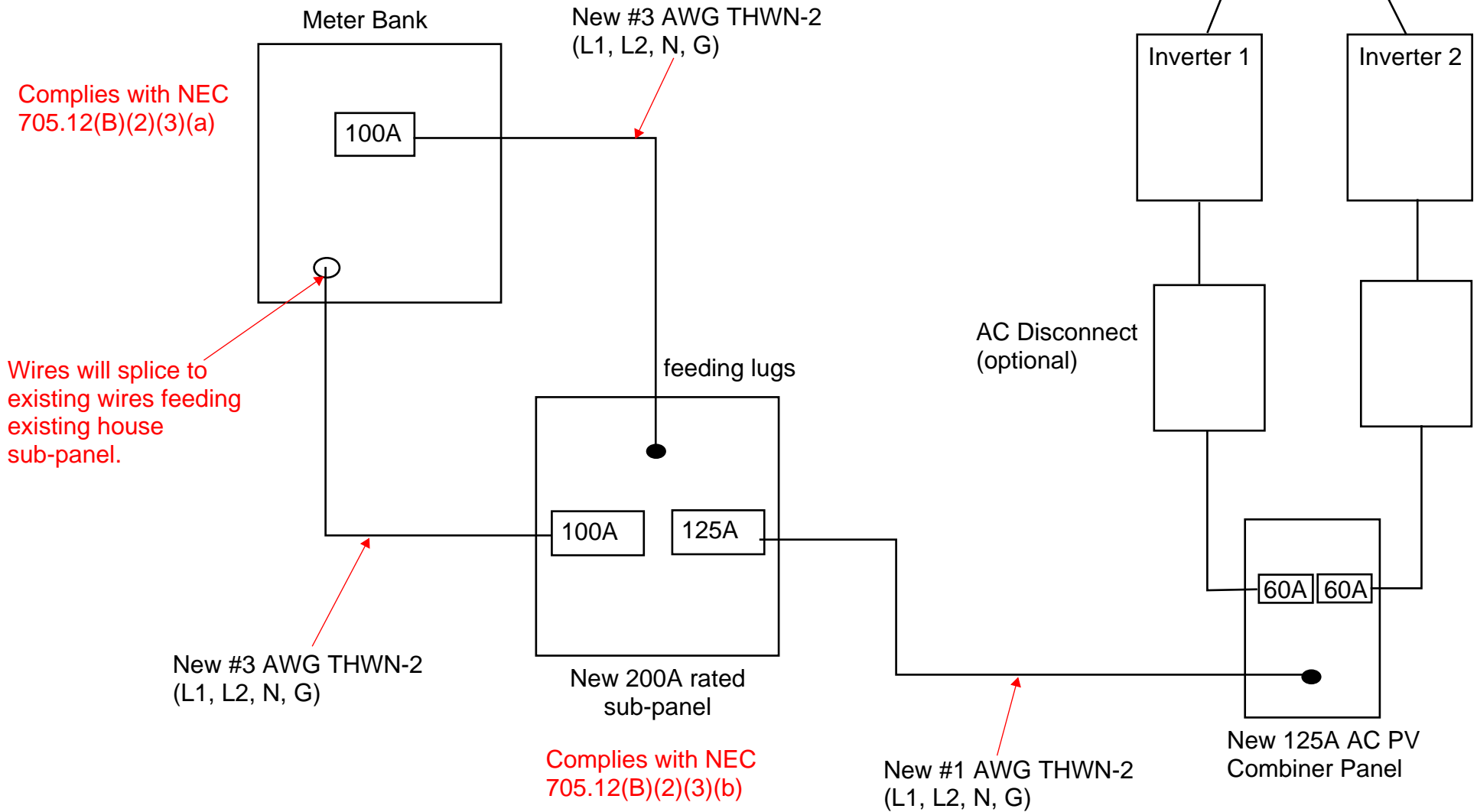


# Re-Feed or Hawaii Tie in Example

This can be used for both of the interconnections

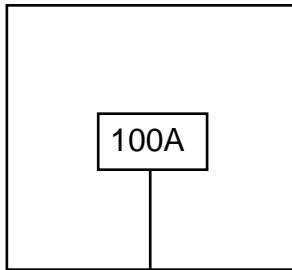


# Interconnection Type 2 - Feeder Tap

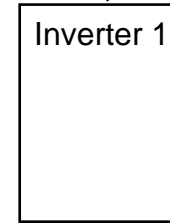
Complies with NEC705.12(B)(2)(1)

# Solar

Existing meter bank



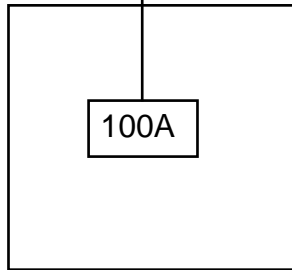
The tap can occur anywhere between 100A breaker in the meter bank and the house sub-panel.



60A rated fused AC Disconnect with 60A fuses



This panel MUST have a 100A main disconnect to protect the feeder wires.



Existing house panelboard

Options for performing the tap

