

# Series 100 Standoff Options

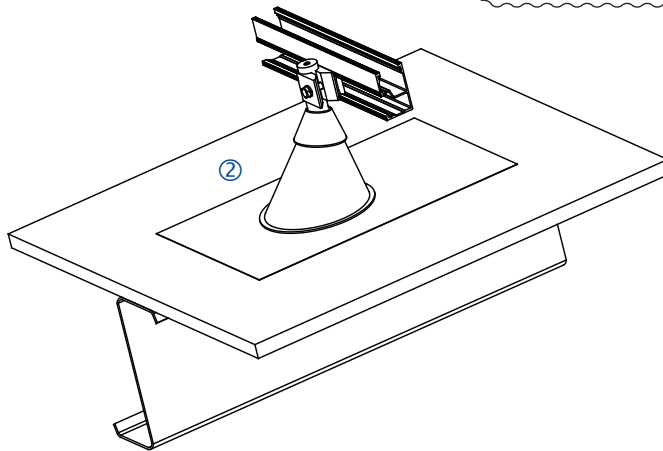
## Materials Included In Series 100 Standoff Kit (Steel Structural Member):

- ① (1) SnapNrack Standoff Base
- ② (1) SnapNrack Standoff Shaft
- ③ (1) SnapNrack Rubber Rain Collar
- ④ (1) SnapNrack Standoff Clamp
- ⑤ (1) 5/16in SS Split Lock Washer
- ⑥ (1) 5/16in - 18 X 2in SS HCS Bolt
- ⑦ (1) SnapNrack Channel Nut, 5/16in - 18

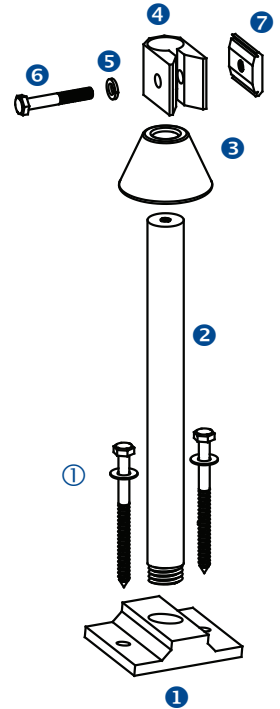
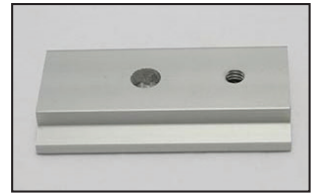
## Other Materials Required:

- ① (1) 1/4in Tek Screw Or Typ Steel Structural Member
- ① (1) Roof Cone Flashing

When To Use:  
Steel Structural  
Member Configurations



## Standard Standoff



## Materials Included In Series 100 Four Hole Standoff Kit:

- ① (1) SnapNrack Four Hole Standoff Base
- ② (1) SnapNrack Standoff Shaft
- ③ (1) SnapNrack Rubber Rain Collar
- ④ (1) SnapNrack Standoff Clamp
- ⑤ (1) 5/16in SS Split Lock Washer
- ⑥ (1) 5/16in - 18 X 2in SS HCS Bolt
- ⑦ (1) SnapNrack Channel Nut, 5/16in - 18

## Other Materials Required:

- ① (4) Wood Screws 1/4"
- ② (1) Roof Cone Flashing

## Four Hole



When To Use:  
TJI Joists

