

boltswitch[®]

CLASS “OPEN TYPE SWITCHES”

AND IDENTICAL SWITCHES LISTED AS “FUSED POWER CIRCUIT DEVICES”

FOR MOUNTING IN DEAD FRONT SWITCHBOARDS AND ENCLOSURES

SERIES J- FOR CLASS J FUSES
400 AND 600 AMPERE

SERIES L- FOR CLASS L FUSES
800 AND 1200 AMPERE

SERIES JB- BOTTOM FEED FOR CLASS J FUSES
400 AND 600 AMPERE

SERIES LB- BOTTOM FEED FOR CLASS L FUSES
800 AMPERE

SERIES T- FOR CLASS T FUSES
200 THRU 1200 AMPERE

SERIES VT- FOR CLASS T FUSES
800 AND 1200 AMPERE

SERIES R- FOR CLASS R FUSES
400 AND 600 AMPERE

SERIES B- FOR NEC FUSES
400 AND 600 AMPERE

BACK CONNECTED- FOR CLASS J & L FUSES
400 THRU 800 AMPERE



TESTS: These switches have been tested in accordance with UL 98 and are UL Listed as “Switches, Open Type” under File No. E37690. Certain switches have also been tested in accordance with UL 977 and are listed as “Fused Power Circuit Devices” under File No. E44498. C-UL is a listing mark for products used in Canada.

FEATURES: Fault Current Ratings • Bolted Pressure Contacts • Load Break Design • Quick-make Quick-break Operators • Visible Contacts • Silver Plated Copper Current Carrying Parts • Grid Type Arc Chutes On All 600 Volt Switches • Terminals Designed For Lugs Or Bus Bars • Provisions For Up To Three Padlocks

SERIES J (Dwg. O-1009)

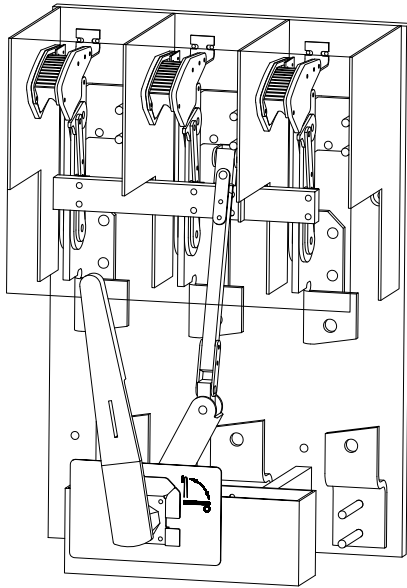
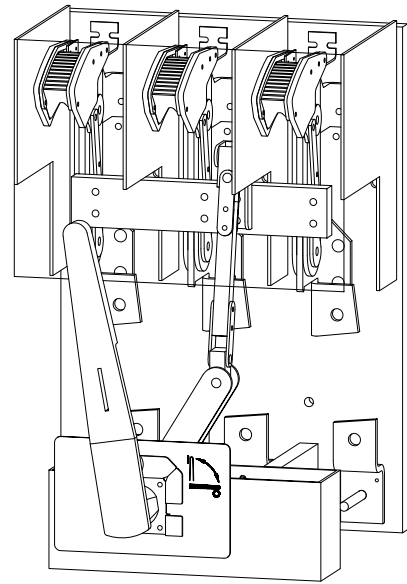
Series J switches are top feed, rated 400 or 600 amperes, 600 volts AC. They will accommodate Class J fuses. The UL Listed short circuit current rating is 200,000 RMS symmetrical amperes at 600 volts. Series J switches are also UL Listed for use at 600 volts DC .

CATALOG NUMBERS

Voltage	Ampacity	2-Pole 2-Wire	3-Pole 3-Wire	4-Pole 4-Wire
600 AC†	400	J265WOL	J365WOL	J465WOL
	600	J266WOL	J366WOL	J466WOL

120 VAC Shunt Trip operator, add suffix -ST
(Alternate 24, 48, 125 or 250 VDC coil, specify when ordering)

†For alternate 600 VDC rating, specify when ordering



SERIES L (Dwg. O-1009)

Series L switches are top feed, rated 800 or 1200 amperes, 240 or 600 volts AC. They will accommodate Class L fuses. The UL Listed short circuit current rating is 200,000 RMS symmetrical amperes at rated voltage.

CATALOG NUMBERS

Voltage	Ampacity	2-Pole 2-Wire	3-Pole 3-Wire	4-Pole 4-Wire
240 AC	800	L227WOL	L327WOL	L427WOL
	800	L227-A*	L327-A*	L427-A*
	1200	L228WOL	L328WOL	L428WOL
	1200	L228-A*	L328-A*	L428-A*
600 AC	800	L267WOL	L367WOL	L467WOL
	800	L267-A*	L367-A*	L467-A*
	1200	L268WOL	L368WOL	L468WOL
	1200	L268-A*	L368-A*	L468-A*

120 VAC Shunt Trip operator, add suffix -ST
(Alternate 24, 48, 125 or 250 VDC coil, specify when ordering)

* FUSED POWER CIRCUIT DEVICE marker

SERIES JB (Dwg. O-1567)

Series JB switches are bottom feed, rated 400 or 600 amperes, 600 volts AC. They will accommodate Class J fuses. The UL Listed short circuit current rating is 200,000 RMS symmetrical amperes at 600 volts.

CATALOG NUMBERS

Voltage	Ampacity	2-Pole 2-Wire	3-Pole 3-Wire	4-Pole 4-Wire
600 AC	400	JB265WOL	JB365WOL	JB465WOL
	600	JB266WOL	JB366WOL	JB466WOL

120 VAC Shunt Trip operator, add suffix -ST
(Alternate 24, 48, 125 or 250 VDC coil, specify when ordering)

SERIES LB (Dwg. O-1567)

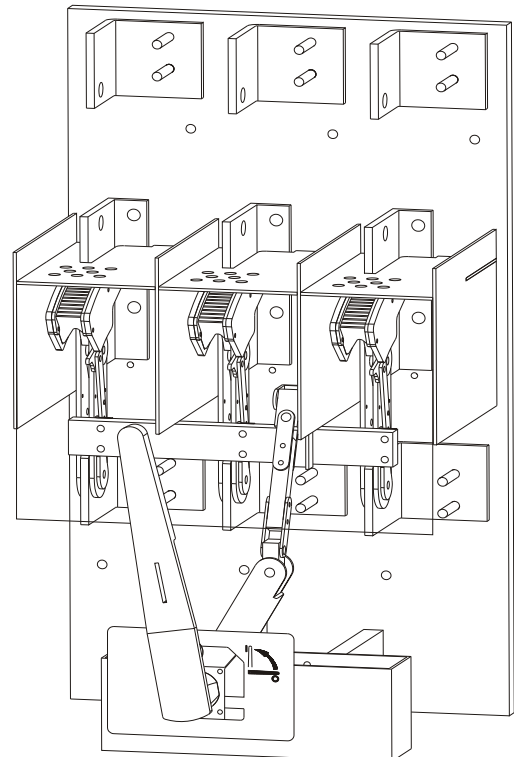
Series LB switches are bottom feed, rated 800 ampere, 600 volts AC. They will accommodate Class L fuses. The UL Listed short circuit current rating is 200,000 RMS symmetrical amperes at 600 volts.

CATALOG NUMBERS

Voltage	Ampacity	2-Pole 2-Wire	3-Pole 3-Wire	4-Pole 4-Wire
600 AC	800	LB267WOL	LB367WOL	LB467WOL
	800	LB267-A*	LB367-A*	LB467-A*

120 VAC Shunt Trip operator, add suffix -ST
(Alternate 24, 48, 125 or 250 VDC coil, specify when ordering)

* FUSED POWER CIRCUIT DEVICE marker

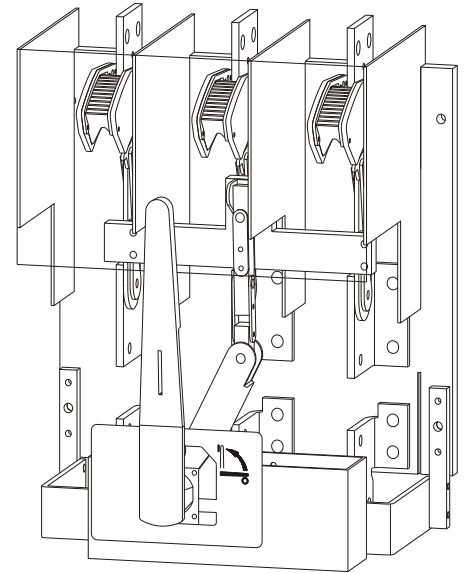


SERIES T (Dwg. O-1128 & O-1549)

Series T switches are top feed switches. 1-Pole (double break) switches are rated 125 volt DC, and are particularly recommended for use as battery disconnect switches. All other switches are rated 240 or 600 volts AC, but may be rated 125 volts DC if specified. AC rated switches have standard horsepower ratings. Series T switches accommodate Class T fuses. The UL Listed short circuit current rating is 200,000 RMS symmetrical amperes, or 50,000 amperes at 125 volts DC.

CATALOG NUMBERS

Voltage	Amp	1-P (Double Break)	2-P 2-W	3-P 3-W	4-P 4-W
125 DC (1-P) and 240 AC† (all others)	200	T114WOL	-	-	-
	400	T115WOL	T225WOL	T325WOL	T425WOL
	600	T116WOL	T226WOL	T326WOL	T426WOL
	800	T117WOL	T227WOL	T327WOL	T427WOL
	1200	T118WOL	T228WOL	T328WOL	T428WOL
600 AC	400	-	T265WOL	T365WOL	T465WOL
	600	-	T266WOL	T366WOL	T466WOL
	800	-	T267WOL	T367WOL	T467WOL
	1200	-	T268WOL	T368WOL	T468WOL



120 VAC Shunt Trip operator (available on 800-1200 Amp only), add suffix -ST (Alternate 24, 48, 125 or 250 VDC coil, specify when ordering)

†For alternate 125 VDC rating on 2-P, 3-P or 4-P, specify when ordering

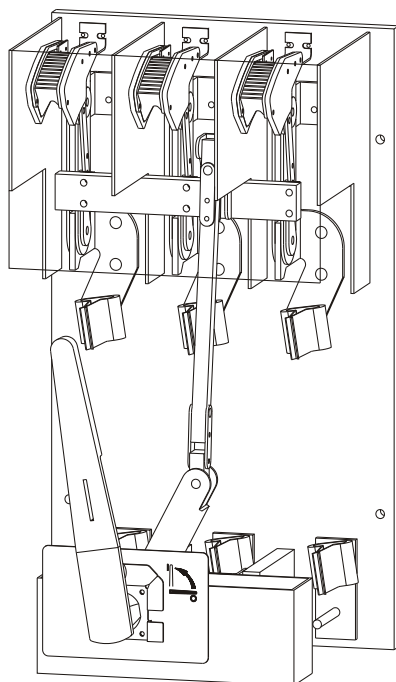
SERIES VT (Dwg. O-1520)

Series VT switches are identical to AC rated 800 and 1200 ampere Series T switches, except have the FUSED POWER CIRCUIT DEVICE marker.

CATALOG NUMBERS

Voltage	Ampacity	2-P 2-W	3-P 3-W	4-P 4-W
240 AC	800	VT227	VT327	VT427
	1200	VT228	VT328	VT428
600 AC	800	VT267	VT367	VT467
	1200	VT268	VT368	VT468

120 VAC Shunt Trip operator, add suffix -ST (Alternate 24, 48, 125 or 250 VDC coil, specify when ordering)



SERIES R (Dwg. O-1122)

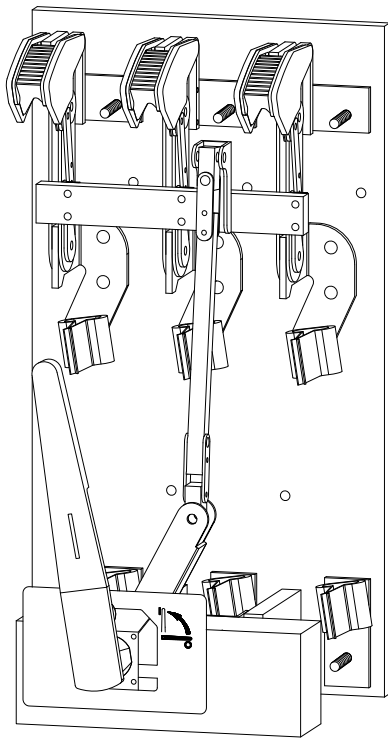
400 or 600 amperes for use at 240 or 600 volts AC. These switches have maximum horsepower ratings. They will accommodate Class R fuses. The UL Listed short circuit current rating is 200,000 RMS symmetrical amperes. Series R switches are also listed for use at 600 volts DC.

CATALOG NUMBERS

Voltage	Ampacity	2-Pole 2-Wire	3-Pole 3-Wire	4-Pole 4-Wire
240 AC	400	R225WOL	R325WOL	R425WOL
	600	R226WOL	R326WOL	R426WOL
600 AC†	400	R265WOL	R365WOL	R465WOL
	600	R266WOL	R366WOL	R466WOL

120 VAC Shunt Trip operator, add suffix -ST (Alternate 24, 48, 125 or 250 VDC coil, specify when ordering)

†For alternate 600 VDC rating, specify when ordering



SERIES B (Dwgs. O-1007, O-1076 & O-1077)

These switches are recommended for replacement purposes only (provide serial number of original switch when ordering). They will receive any renewable or non-renewable, current limiting or non-current limiting Class H, Class K or NEC fuse. Series B switches are top feed, rated 400 or 600 amperes, 240 or 600 volts AC. The UL listed short circuit current rating is 10,000 RMS symmetrical amperes.

CATALOG NUMBERS

Voltage	Ampacity	Dwg.	2-Pole 2-Wire	3-Pole 3-Wire
240 AC	400	O-1007	B225WOL	B325WOL
	600	O-1007	B226WOL	B326WOL
600 AC	400	O-1076	B265WOL	B365WOL
	600	O-1077	B266WOL	B366WOL

Shunt Trip not available on Series B switches.

BACK CONNECTED (Dwg. O-1010)

These switches are designed for installation in Style III switchboards. They require a minimum of height and width. Barriers completely enclose arcing zones, allowing the switch to mount and perform in a very small compartment. Back connected switches are top feed, rated 400, 600 & 800 amperes, 600 volts AC. 400 and 600 ampere switches will accommodate Class J fuses, 800 ampere switches will accommodate Class L fuses. The UL Listed short circuit current rating is 200,000 RMS symmetrical amperes at 600 volts.

CATALOG NUMBERS

Voltage	Ampacity	2-Pole 2-Wire	3-Pole 3-Wire
600 AC	400	J265-X3	J365-X3
	600	J266-X3	J366-X3
	800	L267-X3	L367-X3
	800	L267-AX3*	L367-AX3*

120 VAC Shunt Trip operator, add suffix -ST
(Alternate 24, 48, 125 or 250 VDC coil, specify when ordering)

* FUSED POWER CIRCUIT DEVICE marker

